

PSD SERIES SPECIFICATIONS



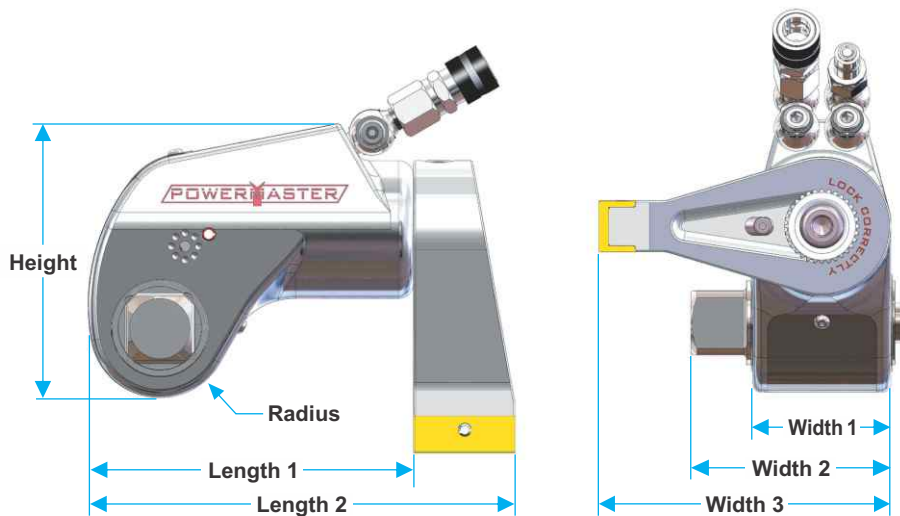
Simply...
The Most Advanced Wrench Ever Produced

- Faster Stroke!
- Anti-Back Lash Mechanism!
- Hands-Off Operation!
- Less Moving Parts!
- Unique Design to Fit Every Application!
- Accurate Repeatability!

Are only a few of the Improvements that Powermaster America has brought to the Industry!

Technical

Model No.		PSD-0.75	PSD-1	PSD-2	PSD-3	PSD-5	PSD-7	PSD-11	PSD-15	PSD-20	PSD-27	PSD-60	PSD-100
Square Drive		3/4"	3/4"	3/4"	1"	1.1/2"	1.1/2"	1.1/2"	2.1/2"	2.1/2"	2.1/2"	2.1/2"	3.1/2"
Min. Torque	Kg-m	10	13	18	45	78	102	162	204	268	375	802	1390
	(Ft/Lbs)	(72)	(94)	(132)	(330)	(565)	(740)	(1,174)	(1,475)	(1,940)	(2,720)	(5,800)	(10,053)
Max. Torque	Kg-m	106	126	183	460	774	1020	1612	2040	2852	3762	8020	13900
	(Ft/Lbs)	(766)	(911)	(1,325)	(3,330)	(5,600)	(7,400)	(11,659)	(14,755)	(20,625)	(27,200)	(58,000)	(100,538)
Output Accuracy		+/-3%	+/-3%	+/-3%	+/-3%	+/-3%	+/-3%	+/-3%	+/-3%	+/-3%	+/-3%	+/-3%	+/-3%
Repeatability		100%	100%	100%	100%	100%	100%	100%	100%	100%	100%	100%	100%
Duty Cycle		100%	100%	100%	100%	100%	100%	100%	100%	100%	100%	100%	100%
Tool Weight	Kgs	1.0	1.25	2.50	4.20	8.40	8.90	13.6	22.0	28.5	32.7	60.8	109
	(Lbs)	(2.20)	(2.75)	(5.80)	(9.30)	(18.60)	(19.60)	(30.00)	(48.50)	(62.70)	(72.00)	(133.70)	(240.00)

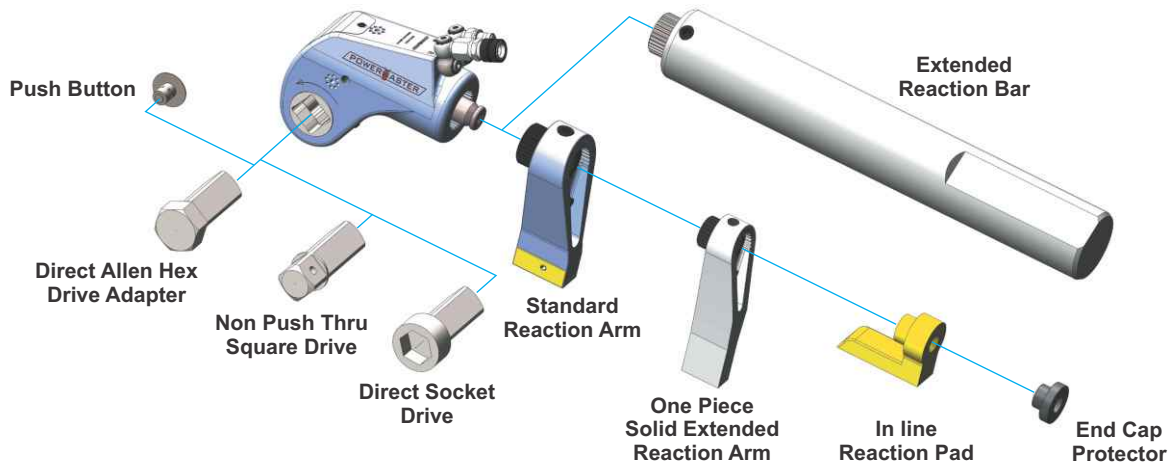


Dimensions

Model No.	PSD-0.75		PSD-1		PSD-2		PSD-3		PSD-5		PSD-7		PSD-11		PSD-15		PSD-20		PSD-27		PSD-60		PSD-100	
	mm	inch	mm	inch	mm	inch	mm	inch	mm	inch	mm	inch	mm	inch	mm	inch	mm	inch	mm	inch	mm	inch	mm	inch
Height	78	3	88	3.5	105	4.15	135	5.3	163	6.4	182	7.17	198	7.81	232	9.15	237	9.35	259	10.2	292	11.5	349	13.7
Length 1	120	4.75	94	3.7	121	4.76	153	6.02	194	7.62	208	8.2	227	8.95	295	11.6	274	10.8	294	11.6	367	14.5	469	18.5
Length 2	91.5	3.6	123	4.8	160	6.3	213	8.38	254	10	291	11.5	313	12.3	373	14.7	390	15.3	415	16.4	522	20.6	619	24.4
Radius	18.7	0.74	20	0.78	25	0.98	33	1.28	41	1.62	45	1.78	50	1.96	58.7	2.3	58	2.29	63	2.46	79	3.1	95	3.74
Width 1	40	1.57	42	1.65	51	2.01	67	2.64	82	3.22	92	3.61	100	3.94	100	3.93	124	4.86	134	5.28	167	6.58	200	7.87
Width 2	52.6	2	65	2.55	72	2.81	93	3.67	116	4.55	128	5.05	137	5.38	158	6.2	183	7.19	194	7.65	226	8.9	260	10.3
Width 3	86.7	3.4	87	3.43	118	4.63	149	5.85	175	6.89	204	8.03	225	8.86	252	9.93	275	10.8	293	11.5	372	14.6	412	16.2

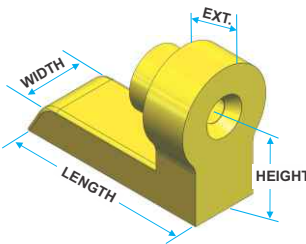
Note : All tool weights include Couplers, Swivels, Reaction Arm and Internal Oil.

PSD SERIES ACCESSORIES



In line Reaction Pad

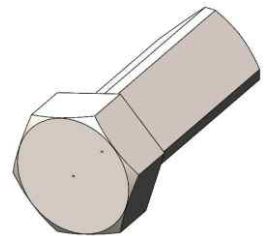
Tool Model	Length	Height	Width	Ext.
PSD-0.75	2.00	1.31	0.92	0.50
PSD-1	2.00	1.31	0.92	0.50
PSD-2	3.55	1.65	1.13	0.83
PSD-3	4.50	2.15	1.52	1.09
PSD-5	5.10	2.45	1.85	1.33
PSD-7	6.25	2.90	2.05	1.65
PSD-11	6.85	3.26	2.24	1.96
PSD-15	7.20	3.75	2.45	2.20
PSD-20	9.05	4.13	3.14	3.00
PSD-27	8.85	4.33	2.30	2.75
PSD-60	10.62	5.51	4.00	3.54



• All Dimensions are in inches.

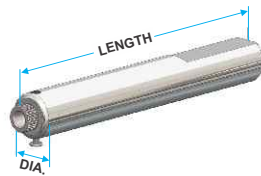
Direct Allen Hex Drive Adapter

Tool Model	Direct Allen Hex Drive Adaptor Model
PSD-0.75	APSD-0.75-11 (Specify A/F Size)
PSD-1	APSD-1-11 (Specify A/F Size)
PSD-2	APSD-2-11 (Specify A/F Size)
PSD-3	APSD-3-11 (Specify A/F Size)
PSD-5	APSD-5-11 (Specify A/F Size)
PSD-7	APSD-7-11 (Specify A/F Size)
PSD-11	APSD-11-11 (Specify A/F Size)
PSD-15	APSD-15-11 (Specify A/F Size)
PSD-20	APSD-20-11 (Specify A/F Size)
PSD-27	APSD-27-11 (Specify A/F Size)
PSD-60	APSD-60-11 (Specify A/F Size)



Extended Reaction Tube

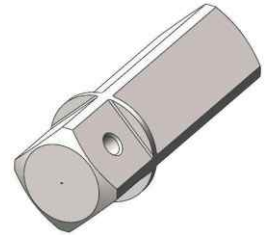
Tool Model	Extended Reaction Tube Model	Dia.	Length
PSD-0.75	APSD-0.75-03-ERT	1.65	13.77
PSD-1	APSD-1-03-ERT	1.65	13.77
PSD-2	APSD-2-03-ERT	2.00	18.57
PSD-3	APSD-3-03-ERT	2.63	23.75
PSD-5	APSD-5-03-ERT	3.00	22.50
PSD-7	APSD-7-03-ERT	3.50	23.00
PSD-11	APSD-11-03-ERT	3.75	25.10
PSD-15	APSD-20-03-ERT	4.00	22.50
PSD-20	APSD-20-03-ERT	4.00	21.65
PSD-27	APSD-27-03-ERT	5.00	16.50
PSD-60	APSD-60-03-ERT	6.00	14.00



• All Dimensions are in inches.

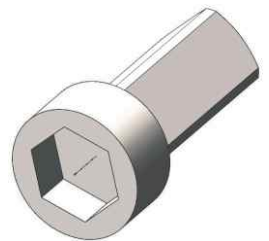
Non Push Thru Square Drive

Tool Model	Non Push Thru Square Drive Model
PSD-0.75	APSD-0.75-NPSD
PSD-1	APSD-1-NPSD
PSD-2	APSD-2-NPSD
PSD-3	APSD-3-NPSD
PSD-5	APSD-5-NPSD
PSD-7	APSD-7-NPSD
PSD-11	APSD-11-NPSD
PSD-15	APSD-15-NPSD
PSD-20	APSD-20-NPSD
PSD-27	APSD-27-NPSD
PSD-60	APSD-60-NPSD



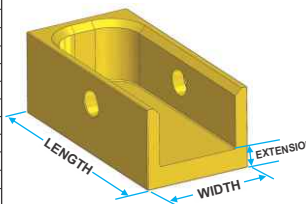
Direct Socket Drive

Tool Model	Direct Socket Drive Model
PSD-0.75	APSD-0.75-DS
PSD-1	APSD-1-DS
PSD-2	APSD-2-DS
PSD-3	APSD-3-DS
PSD-5	APSD-5-DS
PSD-7	APSD-7-DS
PSD-11	APSD-11-DS
PSD-15	APSD-15-DS
PSD-20	APSD-20-DS
PSD-27	APSD-27-DS
PSD-60	APSD-60-DS



Extension Boot

Part No.	Ext.	Length	Width
APSD0.75-03-EXT1	1.00	1.133	0.75
APSD0.75-03-EXT2	2.00		
APSD0.75-03-EXT3	3.00		
APSD1-03-EXT1	1.00	1.133	0.75
APSD1-03-EXT2	2.00		
APSD1-03-EXT3	3.00		
APSD2-03-EXT1	1.00	1.520	1.00
APSD2-03-EXT2	2.00		
APSD2-03-EXT3	3.00		
APSD3-03-EXT1	1.00	2.000	1.25
APSD3-03-EXT2	2.00		
APSD3-03-EXT3	3.00		
APSD5-03-EXT1	1.00	2.741	2.00
APSD5-03-EXT2	2.00		
APSD5-03-EXT3	3.00		
APSD7-03-EXT1	1.00	2.741	1.75
APSD7-03-EXT2	2.00		
APSD7-03-EXT3	3.00		
APSD11-03-EXT1	1.00	3.000	2.00
APSD11-03-EXT2	2.00		
APSD11-03-EXT3	3.00		
APSD15-03-EXT1	1.00	3.11	2.32
APSD15-03-EXT2	2.00		
APSD15-03-EXT3	3.00		
APSD20-03-EXT1	1.00	4.17	2.50
APSD20-03-EXT2	2.00		
APSD20-03-EXT3	3.00		
APSD27-03-EXT1	1.00	4.000	2.50
APSD27-03-EXT2	2.00		
APSD27-03-EXT3	3.00		
APSD60-03-EXT1	1.00	5.11	3.5
APSD60-03-EXT2	2.00		
APSD60-03-EXT3	3.00		



• All Dimensions are in inches. • PSD-100: Parts available on request.

End Cap Protector

Tool Model	End Cap Protector Model
PSD-0.75	APSD-0.75-EC
PSD-1	APSD-1-EC
PSD-2	APSD-2-EC
PSD-3	APSD-3-EC
PSD-5	APSD-5-EC
PSD-7	APSD-7-EC
PSD-11	APSD-11-EC
PSD-15	APSD-15-EC
PSD-20	APSD-20-EC
PSD-27	APSD-27-EC
PSD-60	APSD-60-EC



Types of Reaction Arms



PSD SERIES FEATURES

PSD Square Drive - The Performance Guaranteed!



▲ PSD-7 *Torques the Nut in Seconds!*



◀ PSD-3 *Bolt tightening of Centrifugal pump casing*

The Multi - Faceted PSD Series is the preferred tool of choice on applications in every industry. From Petrochemical Plants, Steel Plants, Offshore Platforms and the windmill industry, the PSD series is the most versatile tool that outperforms all the others!

<p>Mono Body Housing: Highest quality aircraft grade 7075T6 Aluminum housing for unrivalled strength.</p>		<p>360 Swivels: Dual 360° Swivel allows free 360° individual movement of duplex hoses across all applications.</p>	
<p>Multi Tooth Ratchet Assembly: Highest strength teeth ensures 27° torque stroke with greatest accuracy.</p>		<p>Non-drip Quick Connects Couplers: 4:1 safety ratio couplers. Assure safe operation with ease for engaging and disengaging of hoses.</p>	
<p>Square Drive: "Push through" Square Drive that easily pushes through to switch from loosens to tighten.</p>		<p>Anti Backlash Mechanism: Allows hands free working.</p>	
<p>Laser Engraved Torque Chart: Laser engraved shroud for on the spot Torque chart viewing.</p>		<p>Drive Plate: Single piece high strength alloy drive plate for maximum life. Allows small nose radius for the tool.</p>	
<p>Piston Assembly: Smooth leak proof functioning of enclosed alloy steel piston provides required torque. Uses a single seal for maximum maintenance free operation.</p>		<p>Direct Housing Reaction: Allows use without reaction arm</p>	
<p>Boot: Replaceable pad allowing on site change over. Protects costly replacement of reaction arm.</p>		<p>Reaction Arm Release Button: Housed within the reaction arm.</p>	
<p>Reaction Arm: Long Length Reaction Arm allows multi positioning. Allows taking reaction on most applications.</p>		<p>Drive Segment: Ensures tool will never lock up.</p>	

PSD-EXT SERIES SPECIFICATIONS



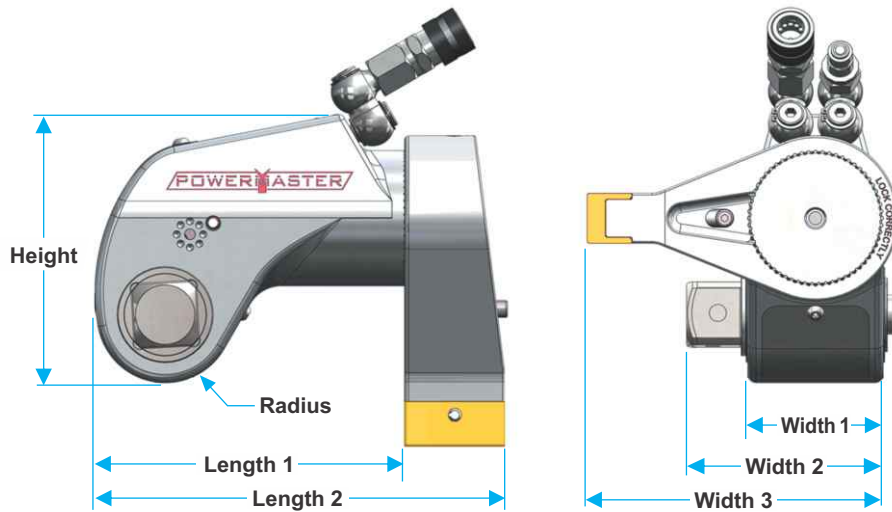
Simply...
The Most Advanced Wrench Ever Produced

- Faster Stroke!
- Anti-Back Lash Mechanism!
- Hands-Off Operation!
- Less Moving Parts!
- Unique Design to Fit Every Application!
- Accurate Repeatability!

The PSD-EXT series has the same features as the PSD series with the exception of having the splines on the outside of the tool body Vs on the inside for the PSD series.

Technical

Model No.	PSD-EXT 2	PSD-EXT 3	PSD-EXT 5	PSD-EXT 7	PSD-EXT 11
Square Drive	3/4"	1"	1.1/2"	1.1/2"	1.1/2"
Min. Torque Kg-m(Ft/Lbs)	18 (132)	45 (330)	78 (565)	102 (740)	162 (1,174)
Max. Torque Kg-m(Ft/Lbs)	183 (1,325)	460 (3,330)	774 (5,600)	1,020 (7,400)	1,612 (11,659)
Output Accuracy	+/-3%	+/-3%	+/-3%	+/-3%	+/-3%
Repeatability	100%	100%	100%	100%	100%
Duty Cycle	100%	100%	100%	100%	100%
Tool Weight Kgs/(Lbs)	2.64 / (5.82)	5.00 / (11.02)	8.40 / (18.60)	12.70 / (28.00)	15.80 / (34.80)



Dimensions

Model No.	PSD-EXT 2		PSD-EXT 3		PSD-EXT 5		PSD-EXT 7		PSD-EXT 11	
	mm	inch	mm	inch	mm	inch	mm	inch	mm	inch
Height	105.32	4.15	134.50	5.30	161.60	6.36	182.20	7.17	198.35	7.81
Length 1	112.43	4.43	152.80	6.02	181.58	7.15	208.43	8.20	227.35	8.95
Length 2	160.43	6.30	212.80	8.38	251.76	9.91	290.93	11.45	313.33	12.33
Radius	24.89	0.98	32.50	1.28	41.27	1.62	45.20	1.78	49.88	1.96
Width 1	51.00	2.01	67.00	2.64	79.40	3.13	91.80	3.61	100.00	3.94
Width 2	68.82	2.71	93.27	3.67	111.20	4.38	128.35	5.05	136.80	5.38
Width 3	117.55	4.63	148.70	5.85	175.10	6.89	203.90	8.03	225.00	8.86

PSD-UNISWIVEL SERIES SPECIFICATIONS



Simply...

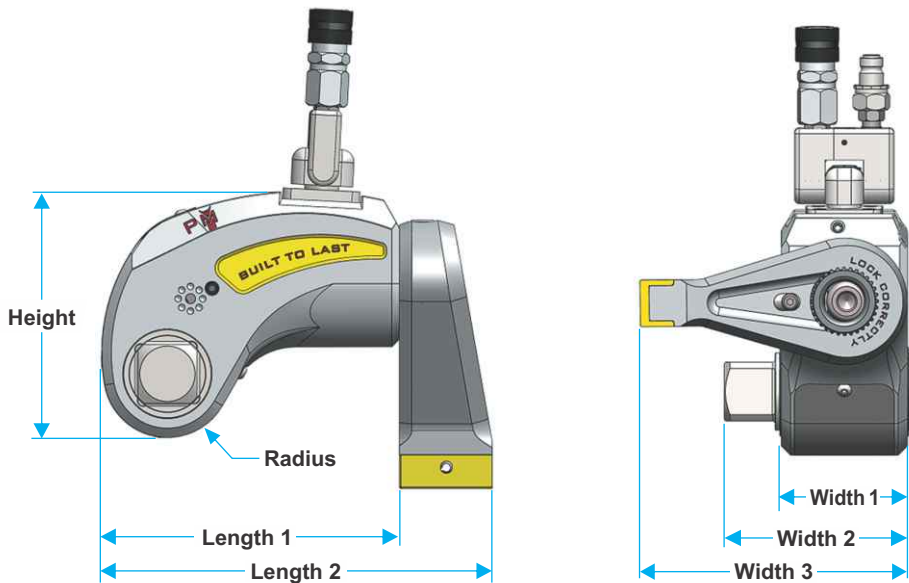
The Most Advanced Wrench Ever Produced

- Faster Stroke!
- Curve Stunning Design
- Hands-Off Operation!
- Unique Design to Fit Every Application!
- A Slim Line Design offering unprecedented degree of Freedom!
- Less Moving Parts!
- 360° x 180° Uniswivel design
- Accurate Repeatability!

Are only a few of the Improvements that Powermaster America has brought to the Industry!

Technical

Model No.	UNS-2	UNS-3	UNS-5	UNS-7	UNS-11
Square Drive	3/4"	1"	1.1/2"	1.1/2"	1.1/2"
Min. Torque Kg-m(Ft/Lbs)	18 (132)	45 (330)	77 (560)	102 (740)	162 (1,174)
Max. Torque Kg-m(Ft/Lbs)	183 (1,325)	460 (3,330)	770 (5,600)	1,020 (7,400)	1612 (11,659)
Output Accuracy	+/-3%	+/-3%	+/-3%	+/-3%	+/-3%
Repeatability	100%	100%	100%	100%	100%
Duty Cycle	100%	100%	100%	100%	100%
Tool Weight Kgs/(Lbs)	1.80 / (3.96)	4.16 / (9.17)	8.90 / (19.60)	9.40 / (20.70)	14.00 / (30.80)



Dimensions

Model No.	UNS-2		UNS-3		UNS-5		UNS-7		UNS-11	
	mm	inch	mm	inch	mm	inch	mm	inch	mm	inch
Height	102.00	4.01	129.00	5.07	160.00	6.30	179.00	7.04	195.00	7.67
Length 1	121.00	4.76	153.00	6.02	194.00	7.62	208.00	8.20	227.00	8.95
Length 2	160.00	6.30	213.00	8.38	254.00	10.00	291.00	11.50	313.00	12.30
Radius	25.00	0.98	33.00	1.28	41.00	1.62	45.00	1.78	50.00	1.96
Width 1	51.00	2.01	67.00	2.64	82.00	3.22	92.00	3.61	100.00	3.94
Width 2	72.00	2.81	93.00	3.67	116.00	4.55	128.00	5.05	137.00	5.38
Width 3	118.00	4.63	149.00	5.85	175.00	6.89	204.00	8.03	225.00	8.86

EVOQ SERIES SPECIFICATIONS

The Largest Choice of Hydraulic Wrenches just got better....



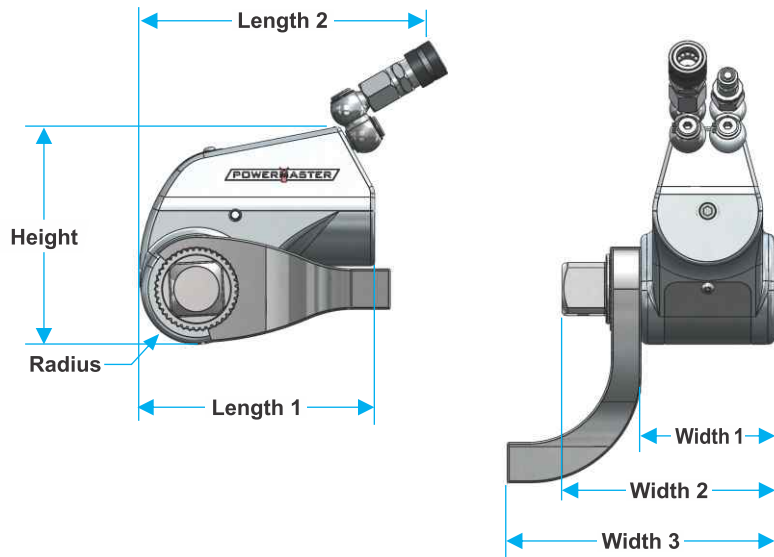
- In Line Reaction Arm!
- Hands-Off Operation!
- Faster Stroke!
- Less Moving Parts!
- Anti-Back Lash Mechanism!
- Universal Design to Fit Every Application!
- Accurate Repeatability!

The EVOQ series wrenches have similar features to the PSD series wrenches but with the additional advantage of having an “Inline to square drive” reaction arm which prevents torsional twisting load on the body of the hydraulic wrench that happens with conventional hydraulic wrenches.

Technical

Model No.	EV-2	EV-3	EV-5	EV-7	EV-11
Square Drive	3/4"	1"	1.1/2"	1.1/2"	1.1/2"
Min. Torque Kg-m(Ft/Lbs)	18 (132)	45 (330)	77 (560)	102 (740)	162 (1,174)
Max. Torque Kg-m(Ft/Lbs)	183 (1,325)	460 (3,330)	770 (5,600)	1,020 (7,400)	1,612 (11,659)
Output Accuracy	+/-3%	+/-3%	+/-3%	+/-3%	+/-3%
Repeatability	100%	100%	100%	100%	100%
Duty Cycle	100%	100%	100%	100%	100%
Tool Weight Kgs/(Lbs)	1.77 / (3.90)	4.09 / (9.00)	8.85 / (19.50)	13.50 / (29.60)	16.80 / (37.10)

Easy change over of Square Drive from loosen to tighten.



Dimensions

Model No.	EV-2		EV-3		EV-5		EV-7		EV-11	
	mm	inch	mm	inch	mm	inch	mm	inch	mm	inch
Height	104.60	4.12	134.50	5.29	162.30	6.40	182.20	7.17	198.35	7.81
Length 1	109.00	4.30	148.80	5.85	176.00	6.93	208.43	8.20	227.35	8.95
Length 2	170.90	6.72	209.00	8.22	216.70	8.53	290.93	11.45	313.33	12.33
Radius	25.00	0.98	32.50	1.27	41.28	1.62	45.20	1.78	49.88	1.96
Width 1	66.00	2.59	82.80	3.25	100.00	3.93	116.80	4.60	125.00	4.92
Width 2	101.00	3.97	123.30	4.85	159.00	6.25	177.20	6.97	186.30	7.33
Width 3	141.00	5.55	183.00	7.20	200.00	7.87	218.00	8.58	250.70	9.87