

## AIR OPERATED FRL UNIT



It is used to regulate the air pressure and properly lubricate the air motor for ultimate life. The Regulator regulates the inlet air pressure and controls the output torque of pneumatic torque wrench. All pneumatic tools must be used with FRL Unit. It is strongly advised not to exceed the maximum operating pressure as specified in the individual tool certificate.

### Technical Features :

- **Metallic Cage** : The Filter, Regulator, Lubricator & Hose are mounted on a strong handy metallic cage.
- **Calibrated Pressure Gauge** : Calibrated 0 - 150 psi pressure gauge for perfect torque output.
- **Regulator Knob** : Smooth operating regulator knob for easy setting of pressure, provided with safety lock.
- **Fine adjustment knob** : Fine adjustment of lubrication for tool available on FRL.
- **Manual Drain** : Easy pull type manual drain to clear the water dispenser.
- **Safety Bowl Guard** : Polycarbonate bowl guard for safety in case of glass bowl failure.
- **Easy detachable bowl** : Easy detachable bowl for replenishing the oil / cleaning.
- **Hose** : Coiled 3 mtrs hose for easy storage in the cage.
- **Quick Connect Adaptors** : FRL comes fitted with quick connect adaptors for easy connection to Tool.

### Technical Details

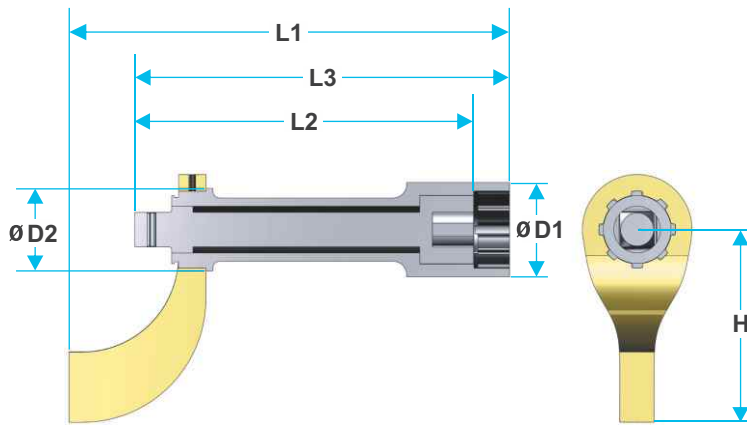
FRL	
Adaptor Size	1/2" BSP
Element	Sinter, Bronze (25 micron)
Bowl Capacity	150 ml
Bowl Guard	Steel
Pressure Gauge	0 - 150 psi
Diaphragms and Seals	Nitrile
Recommended Oil	ISO VG 32
Media (inlet air)	Compressed Air
HOSE	
Coiled Hose	3 mtrs.
Adaptor Size	1/2" BSP
CAGE	
Metallic Handy and Portable	Wt. 7 Kg. of Complete Assembly.

VEGA SERIES ACCESSORIES

Wheel Extension



Wheel extensions are used to reach the wheel hub bolts and nuts, where fitment of tool is not feasible. Powermaster America has complete range of wheel extensions as referred below :



Technical Specifications

Model No.	Sq. Drive inch	L1 mm	L2 mm	L3 mm	D1 mm	D2 mm	H mm
PE 1206	3/4	210	150	185	75.5	60	142
PE 1208	3/4	260	200	235	75.5	60	142
PE 1210	3/4	310	250	285	75.5	60	142
PE 1608	1	265	200	235	75.5	60	142
PE 1610	1	315	250	285	75.5	60	142
PE 1608H	1	265	200	235	93.0	83	168

Reaction Arm

Different type of reaction arms are available for variety of application. Customized reaction arm are available on requirement.

